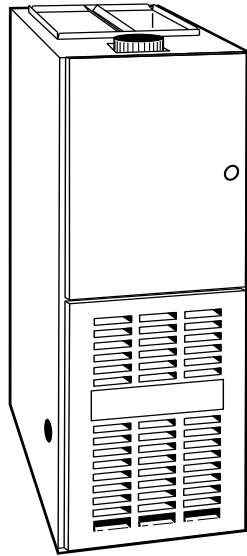


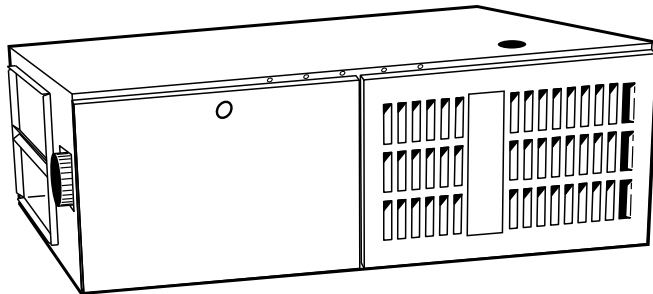


HIGH-EFFICIENCY DOWNFLOW/HORIZONTAL INDUCED COMBUSTION FURNACE

373LAV
Sizes 050 thru 135
Series G



DOWNFLOW



HORIZONTAL

The 373LAV is our special induced-combustion furnace manufactured to meet the requirements of builders and budget-minded consumers. The unit offers lower cost with the same quality and efficiency you expect.

FEATURES

EFFICIENCY—The 373LAV Induced-Combustion Gas Furnace provides the efficiency customers want with 80% Annual Fuel Utilization Efficiency (AFUE).

HOT SURFACE IGNITION—This field-proven ignition system will save energy and improve reliability.

ALUMINIZED HEAT EXCHANGER—The patented 4-pass heat exchanger is made of aluminized steel and backed by a 20-year Limited Warranty.

INTELLIGENT CONTROL BOARD—The 373LAV Furnace has an intelligent control board with an LED status indicator light to ensure top furnace performance. This control board also has a self-test feature that enables the servicing technician to verify operation of the board itself, the inducer, the hot surface ignitor, both high- and low-speed blower operation, and the humidifier.

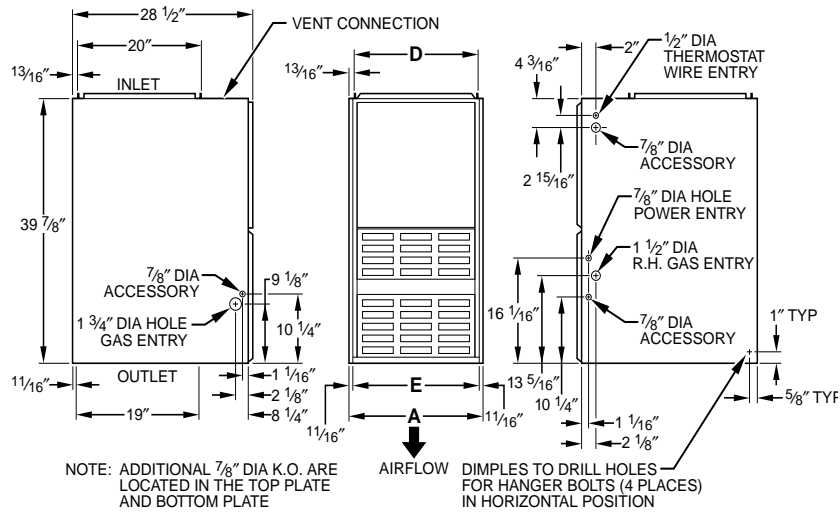
40-IN. HEIGHT—The 373LAV is assembled in a cabinet only 40-in. tall. This simplifies installation in alcoves, attics, basements (ideal for short basement), closets, and utility rooms, especially with a high-efficiency cooling coil.

MULTIPOISE DOWNFLOW OR HORIZONTAL—Our furnace can be used in a downflow, horizontal left, or horizontal right configuration.

PREPAINTED CABINET—The 373LAV uses prepainted sheet metal for the cabinet. This is the same high-quality finish found on refrigerators and other appliances today. We ensure its durability by using a galvanized steel substrate to provide superior rust protection.

PATENTED DRAFT SAFEGUARD—Our induced-combustion furnace has a patented draft safeguard switch. The safeguard switch stops furnace operation if the vent system becomes blocked or is not operating properly. An exclusive with our furnaces.

EASY INSTALLATION—The model 373LAV has many features that make installation easier: left or right gas and electrical connections, blower speed selector, matching coil sizes, accessory low-voltage connections, and many more.



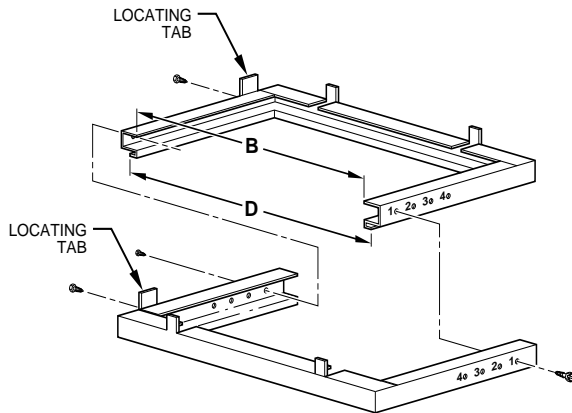
A88324

DIMENSIONS (In.)

UNIT SIZE	A	D	E	VENT CONN*	SHIP. WT (Lb)
024050	14-3/16	12-9/16	12-11/16	4	118
036050	14-3/16	12-9/16	12-11/16	4	121
024070	14-3/16	12-9/16	12-11/16	4	135
036070	14-3/16	12-9/16	12-11/16	4	139
036095	17-1/2	15-7/8	16	4	146
048095	17-1/2	15-7/8	16	4	146
048115	17-1/2	15-7/8	16	4	163
060115	21	19-3/8	19-1/2	4	171
060135	24-1/2	22-7/8	23	5	182

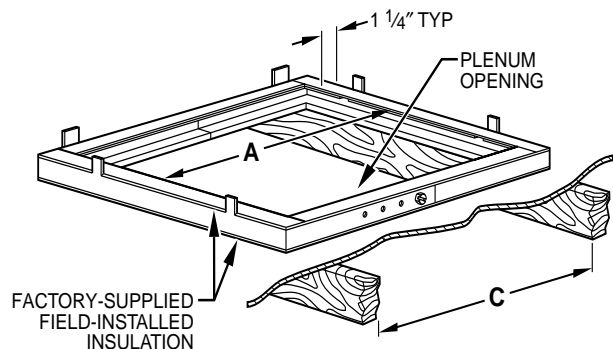
* Refer to the furnace Installation Instructions for proper venting procedures.

ACCESSORY DOWNFLOW SUBBASE



Disassembled

A88207



Assembled

A88206

DIMENSIONAL DATA (In.)

FURNACE WIDTH	PLENUM OPENING*		FRAMED FLOOR HOLE		HOLE NO. FOR WIDTH ADJUSTMENT
	A	B	C	D	
14-3/16	11-13/16	19	13-7/16	20-3/8	4
17-1/2	15-1/8	19	16-3/4	20-3/8	3
21	18-5/8	19	20-1/4	20-3/8	2
24-1/2	22-1/8	19	23-3/4	20-3/8	1

* The plenum should be constructed 1/4 in. smaller in width and depth than the plenum dimensions shown above.

SPECIFICATIONS

UNIT SIZE	024050	036050	024070	036070	036095	048095	048115	060115	060135		
RATINGS AND PERFORMANCE											
Input Btuh*	46,000	46,000	69,000	69,000	92,000	92,000	115,000	115,000	135,000		
Output Capacity (Btuh)†	Nonweatherized ICS		37,000	37,000	56,000	56,000	75,000	75,000	94,000	94,000	110,000
AFUE%†	Nonweatherized ICS		80.0	80.0	80.0	80.0	80.0	80.0	80.0	80.0	
Certified Temperature Rise Range °F	30—60	20—50	50—80	30—60	45—75	30—60	50—80	35—65	45—75		
Certified External Static Pressure	Heat/Cool		0.10/0.50	0.10/0.50	0.12/0.50	0.12/0.50	0.15/0.50	0.15/0.50	0.20/0.50	0.20/0.50	0.20/0.50
Airflow CFM	Heating		720	1165	660	1165	1060	1350	1400	1735	1690
	Cooling		895	1160	930	1195	1255	1580	1595	1950	2055
ELECTRICAL											
Unit Volts—Hertz—Phase	115—60—1										
Operating Voltage Range	Min—Max		104—127								
Maximum Unit Amps	6.6	8.1	6.7	8.4	9.2	10.2	10.1	13.3	14.3		
Maximum Wire Length (Measured 1 Way in Ft)	42	34	42	33	30	28	28	33	31		
Minimum Wire Size	14								12		
Maximum Fuse Size	15								20		
Transformer (24v)	40va										
External Control	Heating				12va						
Power Available	Cooling				35va						
Air Conditioning Blower Relay	Standard										
CONTROLS											
Limit Control	SPST										
Heating Blower Control	Solid-State Time Operation										
Burners (Monoport)	2		3		4		5		6		
Gas Connection Size	1/2-in. NPT										
GAS CONTROLS											
Gas Valve (Redundant)	White-Rodgers										
Min Inlet Pressure (In. wc)	4.5 (Natural Gas)										
Max Inlet Pressure (In. wc)	13.6 (Natural Gas)										
Ignition Device	Hot Surface										
BLOWER DATA											
Direct-Drive Motor HP (PSC)	1/5	1/3	1/5	1/3	1/2	3/4					
Motor Full Load Amps	2.9	5.8	2.9	5.8	7.9	11.1					
RPM (Nominal)—Speeds	1075—3	1075—4	1075—3	1075—4							
Blower Wheel Diameter x Width (In.)	10 x 6				10 x 7	10 x 8	11 x 10				
Filter Size (In.)—Permanent Washable (Supplied)	(2) 16 x 20 x 1										
FACTORY-AUTHORIZED DEALER-INSTALLED ACCESSORIES											
Accessory Downflow Subbase‡	KGASB0101ALL										
Gas Conversion Kit—Natural-to-Propane	KGANP2001ALL										
Gas Conversion Kit—Propane-to-Natural	KGAPN1601ALL										

* Gas inputs shown are for elevations up to 2000 ft. For elevations above 2000 ft, reduce ratings 4% for each 1000 ft above sea level. Refer to National Fuel Gas Code Table F4. In Canada, derate the unit 10% for elevations 2000 ft to 4500 ft above sea level.

† Capacity and AFUE in accordance with U.S. Government DOE test procedures.

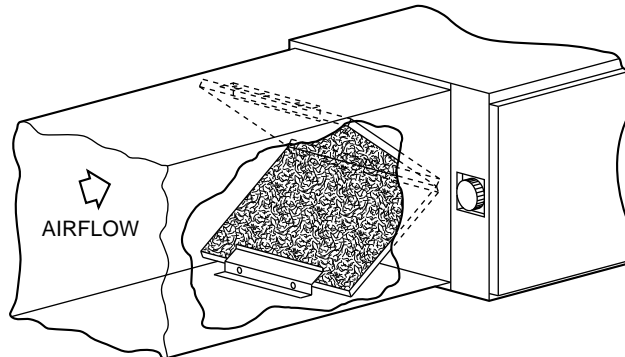
‡ Required for installation on combustible floors when no coil box is used, or when any coil box other than a BDP cased coil is used.

ICS—Isolated Combustion System



MEETS DOE RESIDENTIAL CONSERVATION SERVICES PROGRAM STANDARDS.

Before purchasing this appliance, read important energy cost and efficiency information available from your retailer.



**Filter Retainers
(Field Supplied)**

A94307

AIR DELIVERY—CFM (With Filters)

UNIT SIZE	BLOWER MOTOR HP	SPEED	EXTERNAL STATIC PRESSURE (IN. WC)							
			0.1	0.2	0.3	0.4	0.5	0.6	0.7	0.8
024050	1/5 PSC	High	1100	1050	1000	950	895	840	760	650
		Med-High	860	820	790	760	710	655	580	480
		Med-Low	720	685	650	615	560	505	440	360
036050	1/3 PSC	High	1450	1385	1320	1245	1160	1060	970	855
		Med-High	1305	1270	1225	1160	1090	1000	910	810
		Med-Low	1165	1135	1090	1045	990	905	830	730
024070	1/5 PSC	Low	1005	980	955	915	870	810	740	650
		High	—	—	1010	975	930	885	825	745
		Med-High	—	815	800	765	725	685	620	550
036070	1/3 PSC	Med-Low	—	660	645	620	590	545	480	415
		High	1435	1385	1320	1265	1195	1145	1080	1000
		Med-High	1300	1265	1230	1185	1135	1070	1010	940
036095	1/3 PSC	Med-Low	1165	1140	1100	1055	1005	975	920	850
		Low	985	950	945	920	890	850	810	745
		High	1445	1420	1380	1320	1255	1180	1075	940
048095	1/2 PSC	Med-High	1255	1250	1220	1180	1140	1065	975	830
		Med-Low	1060	1055	1045	1025	975	915	820	680
		Low	900	895	890	870	830	760	665	545
048115	1/2 PSC	High	1855	1765	1710	1665	1580	1570	1410	1310
		Med-High	1595	1570	1530	1485	1410	1355	1280	1200
		Med-Low	1355	1345	1305	1270	1220	1170	1110	1025
060115	3/4 PSC	Low	1170	1170	1140	1110	1075	1025	965	890
		High	1930	1850	1770	1685	1595	1505	1405	1305
		Med-High	1685	1630	1580	1525	1445	1370	1285	1195
060135	3/4 PSC	Med-Low	1425	1400	1370	1325	1280	1225	1155	1070
		Low	1250	1240	1210	1170	1150	1095	1035	950
		High	2235	2185	2110	2030	1950	1835	1700	1540
060115	3/4 PSC	Med-High	1995	1970	1915	1845	1765	1680	1545	1415
		Med-Low	1735	1735	1675	1625	1565	1480	1370	1265
		Low	1510	1500	1485	1455	1400	1320	1230	1130
060135	3/4 PSC	High	—	2250	2190	2130	2055	1960	1875	1760
		Med-High	—	2000	1960	1910	1850	1785	1710	1615
		Med-Low	1700	1690	1670	1650	1610	1560	1490	1435
		Low	1480	1480	1480	1460	1430	1380	1320	1255

—Indicates unstable operating conditions.

MINIMUM CLEARANCES FROM COMBUSTIBLE MATERIALS (In.)

UNIT SIZE	050 AND 070	095-135
DOWNFLOW (In Alcove or Closet)		
Sides—Single-Wall Vent	1	0
Type B-1 Double-Wall Vent	0	0
Back	0	0
Top	1	1
Front—Single-Wall Vent	6†	6†
Type B-1 Double-Wall Vent	3†	3†
Vent—Single-Wall Vent	6	6
Type B-1 Double-Wall Vent	1	1

NOTES:

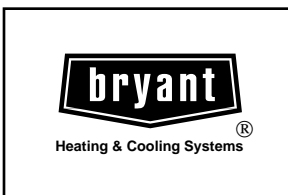
1. Provide 30-in. front clearance for servicing. An open door in front of the furnace can meet this requirement.
2. A minimum clearance of 3 in. must be provided in front of the furnace for combustion air and proper operation.

UNIT SIZE	050 AND 070	095-135
HORIZONTAL (In Attic, Alcove, or Crawlspace)		
Sides*	1	0
Back	0	0
Top—Single-Wall Vent	1	1
Type B-1 Double-Wall Vent	1	1
Front‡—Single-Wall Vent	6†	6†
Type B-1 Double-Wall Vent	3†	3†
Vent—Single-Wall Vent	6	6
Type B-1 Double-Wall Vent	1	1
HORIZONTAL (In Closet)		
Sides*	1	1
Back	3	3
Top—Single-Wall Vent	2	2
Type B-1 Double-Wall Vent	2	2
Front—Single-Wall Vent	6	6
Type B-1 Double-Wall Vent	3	3
Vent—Single-Wall Vent	6	6
Type B-1 Double-Wall Vent	1	1

* Indicates supply or return sides when furnace is in the horizontal position.

† Clearance shown is for outlet end. The inlet end must maintain 6-in. minimum clearance from the vent to combustibles when using single-wall vent

‡ Minimum 18-in. front clearance required for alcove.



SPECIFICATIONS SUBJECT TO CHANGE WITHOUT NOTICE

UNIT MUST BE INSTALLED IN ACCORDANCE WITH INSTALLATION INSTRUCTIONS

Cancels: PDS 373LAV.35.5B