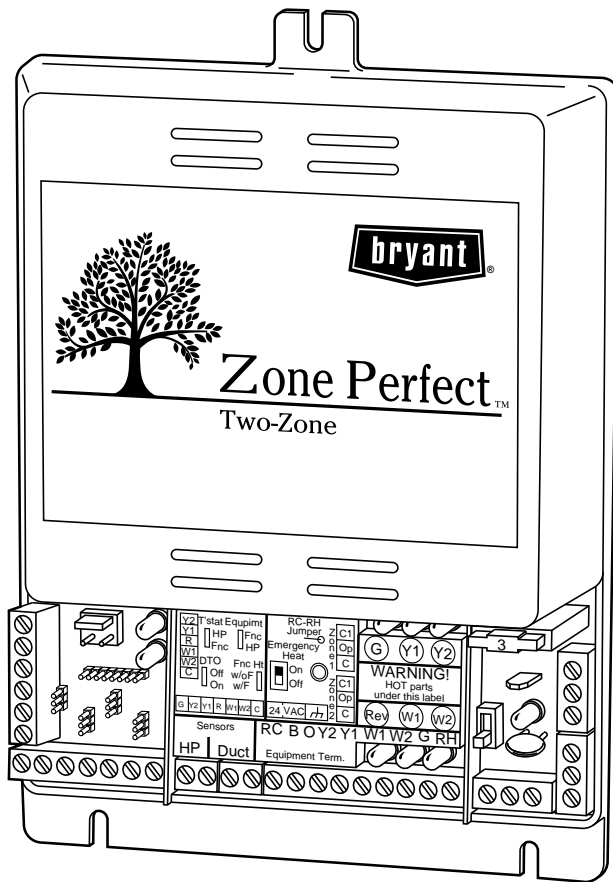




ZONE PERFECT TWO-ZONE KIT

MODEL ZONEKIT2ZBDP



Shown Without Cover

Zone Perfect Two-Zone System is a residential 2-zone system. The Zone Perfect Two-Zone kit includes the 2-zone control center and duct temperature sensor and terminal cover. Thermostats and dampers are not included in the kit. A variety of non-programmable and programmable thermostats are available to satisfy the homeowner's personalized comfort needs.

FEATURES

Eliminates hot and cold spots. Every home has distinct areas or zones that can be individually controlled. For example, upstairs/downstairs in a 2-story house and living/sleeping areas in a ranch-style home.

DUCT TEMPERATURE OPTIMIZER—Offers maximum equipment protection to help ensure long life.

PROGRAMMABLE/NON-PROGRAMMABLE THERMOSTAT COMPATIBILITY—Matches the right thermostat to the homeowner's comfort and lifestyle.

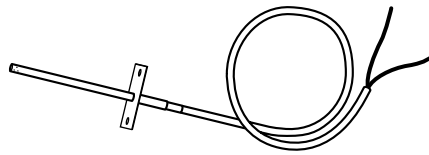
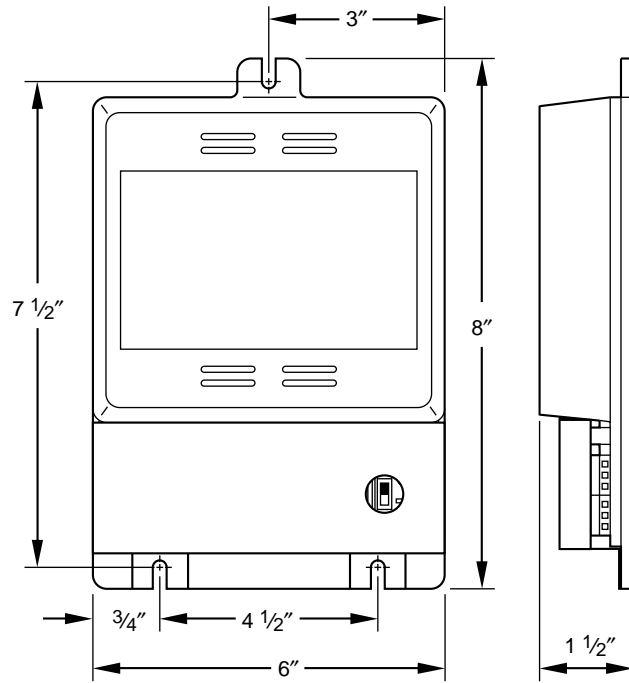
DIAGNOSTIC LEDs—Intelligent system diagnostics to let homeowners know if there is a problem with their system.

EMERGENCY HEAT SWITCH—Allows manual override for emergency heat strip operation when utilizing a heat pump.

MAXIMUM CYCLE RATE—Allows 4 equipment cycles per hr (cph) providing maximum equipment protection.

SELECTION JUMPERS—Designed for easy configuration.

DIMENSIONS



Duct Sensor

A97324

PRODUCT DATA INFORMATION

PHYSICAL CHARACTERISTICS

Dimensions: See drawing

Appearance:

Control Module Cover: Plastic, white color

Wire Terminal Cover: Metal, white color

ELECTRICAL CHARACTERISTICS

Input Volts/Amps: 24vac, less than 40va

ENVIRONMENTAL REQUIREMENTS:

Operating Temperature/Relative Humidity:

Equipment Control Module: 32°F to 150°F, 95% rh non-condensing

APPLICATIONS:

Up to 2 stages cool/2 stages heat

WIRING REQUIREMENTS:

Power supply: Dedicated 24vac, 40va, 60 hz isolated transformer, field supplied.

Wiring material: Standard thermostat wire 18 to 24 gage.

THERMOSTATS

ORDERING NUMBER	DESCRIPTION
TSTATBHNAC01-A	Thermostat, Auto Changeover, Non-Programmable, °F/°C, 1-Stage Heat, 1-Stage Cool
TSTATBHPAC01-A	Thermostat, Auto Changeover, 7-Day Programmable, °F/°C, 1-Stage Heat, 1-Stage Cool
TSTATBHNHP01-A*	Thermostat, Auto Changeover, Non-Programmable, °F/°C, 2-Stage Heat, 1-Stage Cool
TSTATBHPHP01-A*	Thermostat, Auto Changeover, 7-Day Programmable, °F/°C, 2-Stage Heat, 1-Stage Cool
TSTATBHN2S01-A*	Thermostat, Auto Changeover, Non-Programmable, °F/°C, 2-Stage Heat/2-Stage Cool in AC mode, 3-Stage Heat/2-Stage Cool in HP mode
TSTATBHP2S01-A*	Thermostat, Auto Changeover, 7-Day Programmable, °F/°C, 2-Stage Heat/2-Stage Cool in AC mode, 3-Stage Heat/2-Stage Cool in HP mode
HH07AT212*	Thermostat, AC, Manual Changeover, Non-Programmable, °F, 1-Stage Heat, 1-Stage Cool

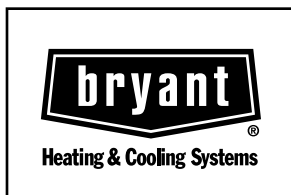
* Special thermostat set-up is required when operating with zone control board.

OPTIONAL ACCESSORIES

DESCRIPTION	PART NO.
Duct/HP Sensor (An additional sensor is required for heat pump applications)	ZONEXX0DTS01
Multi-Damper Enabler	ZONEMLTDPEN

ACCESSORIES
DAMPERS

DESCRIPTION	SIZE (In.)	PART NO.
Round Dampers	6	DAMPRND06INC
	8	DAMPRND08INC
	10	DAMPRND10INC
	12	DAMPRND12INC
	14	DAMPRND14INC
	16	DAMPRND16INC
Rectangular Dampers	8 X 10	DAMPREC08X10
	8 X 14	DAMPREC08X14
	8 X 18	DAMPREC08X18
	8 X 24	DAMPREC08X24
	10 X 10	DAMPREC10X10
	10 X 14	DAMPREC10X14
	10 X 18	DAMPREC10X18
	10 X 24	DAMPREC10X24
Barometric Bypass	8 X 14	DAMPBAR08X14
	8 X 24	DAMPBAR08X24
Slip-In Dampers	Side mount, 8 X 10	DAMPCLS08X10
	Bottom mount, 8 X 10	DAMPCLB08X10
	Side mount, 8 X 12	DAMPCLS08X12
	Bottom mount, 8 X 12	DAMPCLB08X12
	Side mount, 8 X 14	DAMPCLS08X14
	Bottom mount, 8 X 14	DAMPCLB08X14
	Side mount, 8 X 16	DAMPCLS08X16
	Bottom mount, 8 X 16	DAMPCLB08X16
	Side mount, 8 X 18	DAMPCLS08X18
	Bottom mount, 8 X 18	DAMPCLB08X18
	Bottom mount, 8 X 20	DAMPCLB08X20
	Bottom mount, 8 X 22	DAMPCLB08X22
	Bottom mount, 8 X 24	DAMPCLB08X24
	Side mount, 10 X 10	DAMPCLS10X10
	Bottom mount, 10 X 10	DAMPCLB10X10
	Side mount, 10 X 12	DAMPCLS10X12
	Bottom mount, 10 X 12	DAMPCLB10X12
	Side mount, 10 X 14	DAMPCLS10X14
	Bottom mount, 10 X 14	DAMPCLB10X14
	Side mount, 10 X 16	DAMPCLS10X16
	Bottom mount, 10 X 16	DAMPCLB10X16
	Side mount, 10 X 18	DAMPCLS10X18
	Bottom mount, 10 X 18	DAMPCLB10X18
	Bottom mount, 10 X 20	DAMPCLB10X20
	Bottom mount, 10 X 22	DAMPCLB10X22
	Bottom mount, 10 X 24	DAMPCLB10X24
Bottom mount, 14 X 20	DAMPCLB14X20	
Replacement Actuators	90° for rectangular dampers	DAMPACT90DEG
	45° for round dampers	DAMPACT45DEG



SPECIFICATIONS SUBJECT TO CHANGE WITHOUT NOTICE

UNIT MUST BE INSTALLED IN ACCORDANCE
WITH INSTALLATION INSTRUCTIONS

Cancels: PDS_ZONEKIT.2.1B